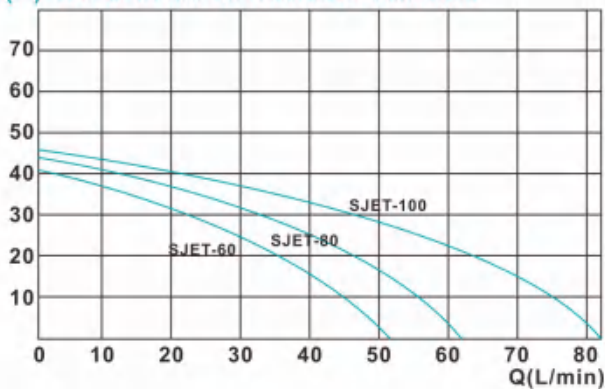




# SJET Self-priming Jet Pump



**H(m) PERFORMANCE CHART AT n=2850RPM**

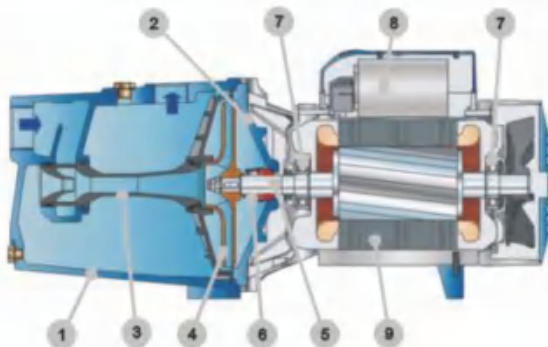


## Performance Range

Flow rate up to 80L/min(4.8m<sup>3</sup>/h)  
Head up to 46m

## Technical Parameters

Model	Power		H.Max	Q.Max	Size	S.Head	Packing
	kW	HP	m	L/min	Inch	m	Qty
SJET-60	0.37	0.5	41	50	1"x1"	9	1600
SJET-80	0.55	0.75	44	60	1"x1"	9	1400
SJET-100	0.75	1	46	80	1"x1"	9	1400



POS.COMPONENT	CONSTRUCTION CHARACTERISTICS				
1 PUMP BODY	Cast iron, complete with threaded ports in compliance with ISO228/1				
2 BODY BACKPLATE	Stainless steel AISI 304				
3 NOZZLE ASSEMBLY	Noryl FE1520PW				
4 IMPELLER	Stainless steel AISI 304				
5 MOTOR SHAFT	Stainless steel AISI 304 EN 10088-3-1.4104				
6 MECHANICAL SEAL	Seal	Shaft	Materials		
	Model	Diameter	Stationary ring	Rotational ring	Elastomer
	AR-14	Φ14mm	Ceramic	Graphite	NBR
7 BEARINGS	6203 ZZ/6203 ZZ				
8 CAPACITOR	Pump	Capacitance			
	Single-phase	(230V or 240V)	(110V)		
	SJET-60	12µF 450 VL	25µF 300 VL		
	SJET-80	16µF 450 VL	30µF 300 VL		
	SJET-100	20µF 450 VL	40µF 300 VL		
9 ELECTRIC MOTOR	SJET: single-phase 230 V-50 Hz with thermal overload protector built-in to the winding.				
	SJET: three-phase 230/400 V-50 Hz				
	Pumps fitted with the three-phase motor option offer IE2(IEC 60034-30) class high performance				
	Stator and rotor are made out of magnetic sheet with low iron loss.				
	-Insulation: F class.				
	-Protection: IP X4.				