



PLX Water Recirculation Pump



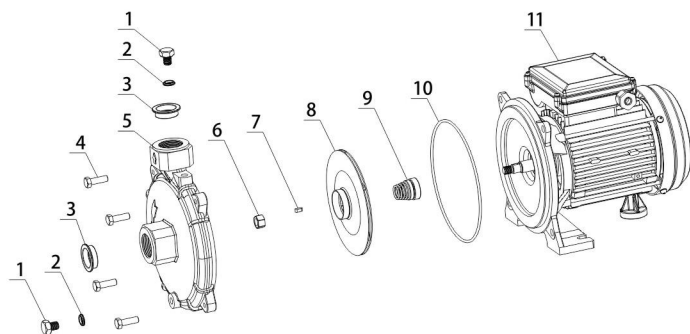
Feature

- Impeller and shaft (overflow part) are made of stainless steel, which is rust-proof
- Electrophoretic coating shall be applied to the overflow part of iron castings
- Stainless steel impeller
- Small size
- Insulation class:B
- Protection level:IP44

Operating Condition

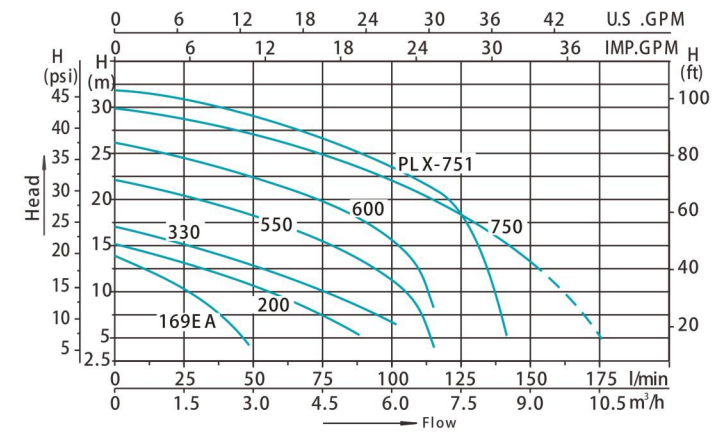
- Medium temperature:0~100°C
- Environmental temperature:≤50°C
- Max.working pressure:0.5MPa

Product Structure

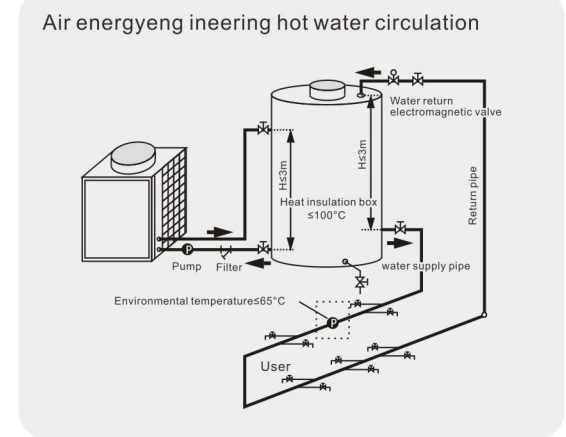


NO.	Name
1	Plug
2	Plug pad
3	Dust cap
4	Hexagon bolt
5	Pump casing
6	Hexagon nut
7	Flat key
8	Impeller
9	Mechanical seal
10	O-ring
11	Motor

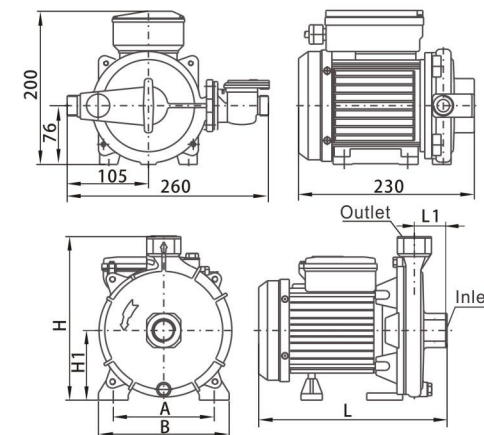
Performance Curve



Working Principle Diagram



Overall Dimension



Model	Dimension(mm)					
	L	L1	A	B	H	H1
PLX-200	235	45	104	161	195	76
PLX-330	235	45	104	161	195	76
PLX-550	268	46	142	188	230	98
PLX-600	268	46	142	188	230	98
PLX-750	268	46	142	188	230	98
PLX-751	268	46	142	188	230	98

Performance Table

Model	P2 kW	Amps		Rated head m	Rated flow m³/h	Inlet	Outlet	G.W kg	Packing dimension mm
		220V/50Hz	380V/50Hz						
PLX-200	200	1.5	-	10	2.28	G1	G1	8.2	265X185X245
PLX-330	330	2.4	1.0	13	2.28	G1	G1	9.2	265X185X245
PLX-550	550	3.8	1.4	18	3	G1	G1	12.5	300X215X280
PLX-600	750	5.2	1.8	22	3	G1	G1	13.5	300X215X280
PLX-750	750	5.2	1.8	21	6.6	G1¼	G1¼	13.5	300X215X280
PLX-751	750	5.2	1.8	26	4.8	G1¼	G1¼	13.5	300X215X280
PLX-169EA	200	1.5	-	10	1.68	G¾	G¾	9.0	290X260X250