



## KBZ Semi Water-cooled Submersible Sewage Pump



### Feature

- Built-in overload protector
- Stainless steel shaft, alloy seal
- SS304 screw, stainless steel handle
- Stainless steel nameplate, impeller base plate made of chrome graphite alloy
- Durable and long-lasting C&U bearings

### Product Overview

It adopts mechanical seals, and the rotor shaft is made of stainless steel material to ensure more reliable mechanical strength, which can effectively improve the corrosion resistance and wear resistance of the shaft, and also facilitate the maintenance and disassembly of the impeller.

Each fixed stop seal adopts a flat seal, and the flat seal rubber is oil resistant and high-temperature resistant, ensuring the stability of the electric pump seal.

The electric pump adopts a semi cold water design, which effectively cools the motor without being submerged in water, thereby reducing the probability of motor burnout.

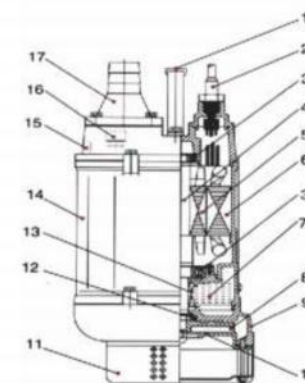
This series of products is widely used in industrial, agricultural, mining, civil construction, municipal environmental protection and other places. It is an ideal equipment for pumping mud, mortar, domestic wastewater, sewage feces, solid particles such as short fibers, paper scraps, and sediment, as well as rural drainage and irrigation, and river and pond dredging.

### Operating Condition

The electric pump should be able to operate continuously and normally under the following operating conditions:

- The medium temperature shall not exceed 35°C
- The pH value of the medium is between 4 and 10.
- The maximum density of the medium is 1.2x103kg/m
- The power frequency is 50Hz, and the voltage is single-phase AC 220V and three-phase AC 380V  
The voltage fluctuation range is 0.9~1.1 times the rated value.
- The diving depth shall not be less than 0.5m and not exceed 5m.
- Unique design: stainless steel welding shaft.
- The head flow rate is 100% up to standard.

### Model Definition



No.	Name	Material	No.	Name	Material
1	Handle	Rubber & steel	10	End plate	High chromium alloy
2	Cable	2PNCT-F	11	Filter	Steel
3	Bearing	Ball Bearing	12	Oil seal bracket	Hard grade oil seal
4	Shaft	AISI420SS	13	Mechanical seal	Sic-sic/Sic-sic
5	Rotor	Shaft: AISI420SS	14	Motor body	Cast iron
6	Stator	600	15	Upper cover	Cast iron
7	Lube oil		16	Motor protector	Thermal protection
8	Impeller	High chromium alloy	17	Hose coupling	Cast iron
9	Pump body	Cast iron			

### Performance Table

Model	Folw(m³/h)	Head(m)	Power(kw)	Voltage(V)	DN(mm)	G.W(kg)	Packing dimension(cm)
KBZ21.5	15	15	1.5	380	50/2	37.5	59×28×25
KBZ22.2	18	20	2.2	380	50/2	39	59×28×25
KBZ23.7	12	30	3.7	380	50/2	65	68×32×28
KBZ31.5	30	8	1.5	380	80/3	37	59×28×25
KBZ32.2	36	11	2.2	380	80/3	39	59×28×25
KBZ33.7	30	20	3.7	380	80/3	65	68×32×28
KBZ35.5	36	25	5.5	380	80/3	84	73×35×35
KBZ43.7	60	12	3.7	380	100/4	66	68×32×28
KBZ45.5	60	16	5.5	380	100/4	85	73×35×35
KBZ47.5	48	30	7.5	380	100/4	114	81×37×40
KBZ411	60	35	11	380	100/4	140	86×42×45
KBZ415	60	42	15	380	100/4	153	90×42×45
KBZ67.5	90	15	7.5	380	150/6	114	84×37×40
KBZ611	102	22	11	380	150/6	143	86×42×45
KBZ615	102	30	15	380	150/6	156	89×42×45