



HF Centrifugal Pump



Application

These pumps are suitable for handling clean water not containing abrasive particles and fluids which are not chemically aggressive to the pump components.

They are extremely reliable, simple to use, quiet and virtually maintenance-free, finding many uses in domestic and civil applications, and in particular the automatic distribution of water from small and medium-sized surge tanks, transferring water, watering gardens, etc.

Performance Range

HF-5

Flow rate up to 600L/min(36m³/h)
Head up to 23m

HF-6

Flow rate up to 1300L/min(78m³/h)
Head up to 22m

HF-6R

Flow rate up to 1300L/min(78m³/h)
Head up to 22m

HF-129

Flow rate up to 500L/min(30m³/h)
Head up to 22.5m

Operating Condition

Suction lift up to 9m
Fluid temperature up to 60°C
Maximum ambient temperature 40°C

Standard Data And Equipment

Single phase 220V/50Hz. Brass impeller, carbon steel motor shaft, with thermal protector inside. Other model and material such as three phase, 110V, 60Hz, dual voltage, stainless shaft, etc. will be available upon request.

Performance Table

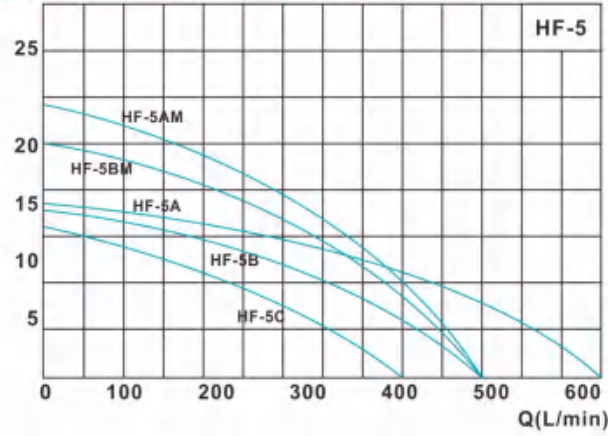
Model	Power		H.Max	Q.Max	Size	S.Head	Packing
	kW	HP	m	L/min	Inch	m	Qty
HF-5C	0.6	0.8	12.5	400	2"×2"	9	1600
HF-5B	0.75	1	14	500	2"×2"	9	1600
HF-5A	1.1	1.5	14.5	600	2"×2"	9	1600
HF-5BM	1.1	1.5	20	500	2"×2"	9	1200
HF-5AM	1.5	2	22.5	500	2"×2"	9	1200

Model	Power		H.Max	Q.Max	Size	S.Head	Packing
	kW	HP	m	L/min	Inch	m	Qty
HF-6D	1.1	1.5	12	1000	3"×3"	9	850
HF-6C	1.5	2	15	1100	3"×3"	9	850
HF-6B	2.2	3	18.5	1200	3"×3"	9	750
HF-6A	3	4	22	1300	3"×3"	9	750

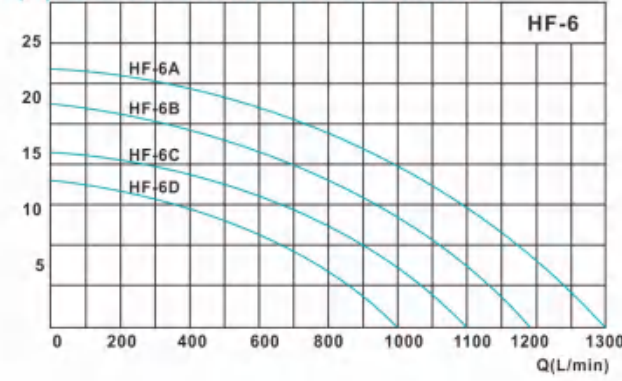
Model	Power		H.Max	Q.Max	Size	S.Head	Packing
	kW	HP	m	L/min	Inch	m	Qty
HF-6DR	1.1	1.5	12	1000	4"×4"	9	820
HF-6CR	1.5	2	15	1100	4"×4"	9	820
HF-6BR	2.2	3	18.5	1200	4"×4"	9	720
HF-6AR	3	4	22	1300	4"×4"	9	720

Model	POWER		H.Max	Q.Max	Size	S.Head	Packing
	kW	HP	m	L/min	Inch	m	Qty
HF-129B	1.1	1.5	20	500	2"×2"	9	1200
HF-129A	1.5	2	22.5	500	2"×2"	9	1200

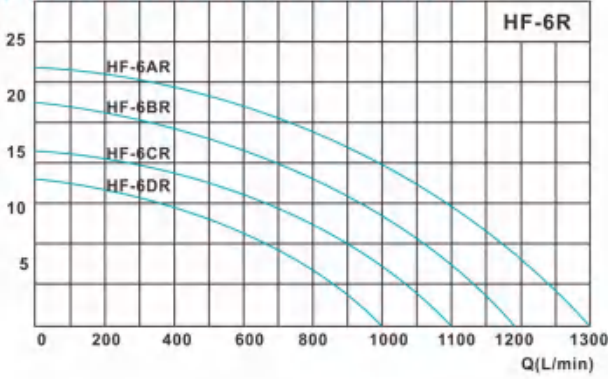
H(m) PERFORMANCE CHART AT n=2850RPM



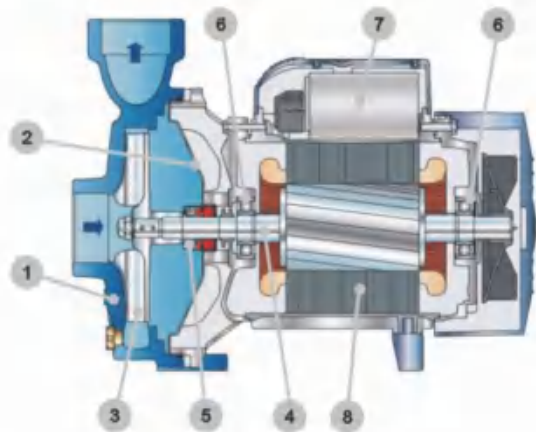
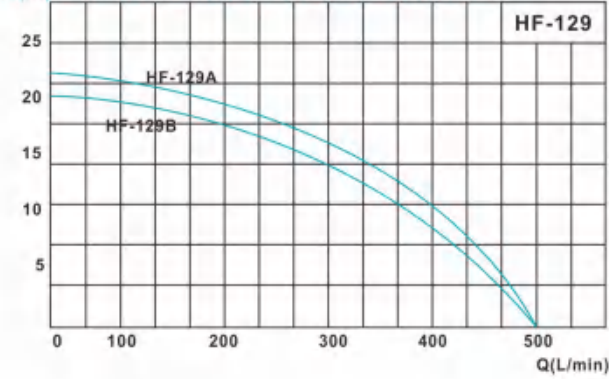
H(m) PERFORMANCE CHART AT n=2850RPM



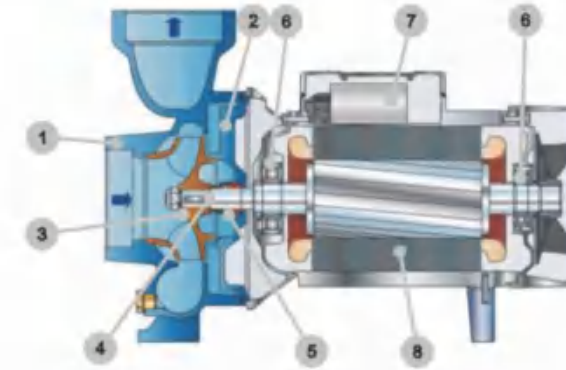
H(m) PERFORMANCE CHART AT n=2850RPM



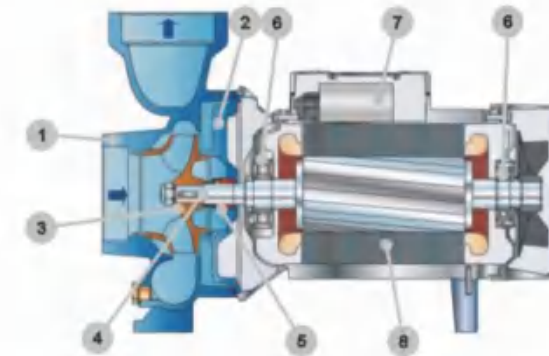
H(m) PERFORMANCE CHART AT n=2850RPM



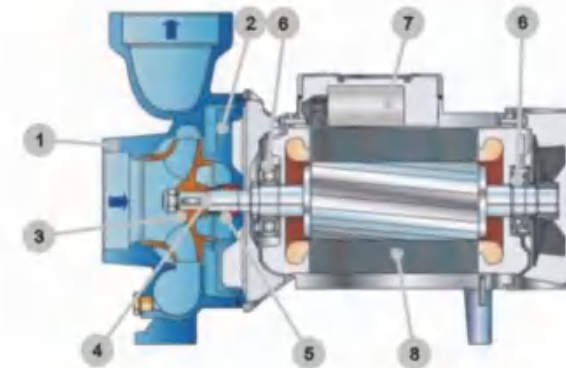
POS. COMPONENT	CONSTRUCTION CHARACTERISTICS
1 PUMP BODY	Cast iron, complete with threaded ports in compliance with ISO228/1
2 MOTOR BACKPLATE	Stainless steel AISI 304
3 IMPELLER	Stainless steel AISI 304
4 MOTOR SHAFT	Stainless steel AISI 304 EN 10088-3-1.4104
5 MECHANICAL SEAL	Pump Seal Shaft Materials
	Model Diameter Stationary ring Rotational ring Elastomer
6 BEARINGS	AR-14 Φ 14mm Ceramic Graphite NBR
	6202 ZZ/6202 ZZ
7 CAPACITOR	Pump Capacitance
	Single-phase (230V or 240V) (110V)
8 ELECTRIC MOTOR	HF-5B 20 μ F 450 VL 30 μ F 300VL
	HF: single-phase 230 V-50 Hz with thermal overload protector built-in to the winding. HF: three-phase 230/400 V-50 Hz Pumps fitted with the three-phase motor option offer IE2(IEC 60034-30) class high performance -Insulation: F class. -Protection: IP X4.



POS. COMPONENT	CONSTRUCTION CHARACTERISTICS
1 PUMP BODY	Cast iron, complete with threaded ports in compliance with ISO228/1
2 MOTOR BACKPLATE	Cast iron, (stainless steel AISI 304 for HF 4)
3 IMPELLER	Brass for HF6D,6C,6B Cast Iron for HF 6A
4 MOTOR SHAFT	Stainless steel EN 10088-3-1.4104
5 MECHANICAL SEAL	Pump Seal Shaft Materials
	Model Model Diameter Stationary ring Rotational ring Elastomer
6 BEARINGS	HF 6D-C AR-18 Φ 18mm Graphite Ceramic NBR
	HF 6B AR-20 Φ 20mm Graphite Ceramic NBR
7 CAPACITOR	HF 6A AR-24 Φ 24mm Graphite Ceramic NBR
	Pump Model
8 ELECTRIC MOTOR	HF 6D-C 6303 ZZ/6203 ZZ
	HF 6B 6204 ZZ/6204 ZZ
	HF 6A 6306 ZZ/6206 ZZ
	Pump Capacitance
	Single-phase (230V or 240V) (110V)
	HF-6D 31.5 μ F 450 VL 60 μ F 250VL
	HF-6B 45 μ F 450 VL 80 μ F 250VL
	HF: single-phase 230 V-50 Hz with thermal overload protector built-in to the winding. HF: three-phase 230/400 V-50 Hz up to 4kW, 400/690 V-50 Hz from 5.5 to 7.5kW Pumps fitted with the three-phase motor option offer IE2(IEC 60034-30) class high performance -Insulation: F class. -Protection: IP X4.



POS. COMPONENT	CONSTRUCTION CHARACTERISTICS
1 PUMP BODY	Cast iron, complete with threaded ports in compliance with ISO228/1
2 MOTOR BACKPLATE	Cast iron, (stainless steel AISI 304 for HF 4)
3 IMPELLER	Brass for HF6DR,6CR,6BR,6AR Cast Iron for HF 30
4 MOTOR SHAFT	Stainless steel EN 10088-3-1.4104
5 MECHANICAL SEAL	Pump Seal Shaft Materials
	Model Model Diameter Stationary ring Rotational ring Elastomer
6 BEARINGS	HF 6DR-CR AR-18 Φ 18mm Graphite Ceramic NBR
	HF 6BR AR-20 Φ 20mm Graphite Ceramic NBR
7 CAPACITOR	HF 6AR AR-24 Φ 24mm Graphite Ceramic NBR
	Pump Model
8 ELECTRIC MOTOR	HF 6DR-CR 6203 ZZ/6203 ZZ
	HF 6BR 6304 ZZ/6204 ZZ
	HF 6AR 6306 ZZ/6206 ZZ
	Pump Capacitance
	Single-phase (230V or 240V) (110V)
	HF-6DR 31.5 μ F 450 VL 60 μ F 250VL
	HF-6BR 45 μ F 450 VL 80 μ F 250VL
	HF: single-phase 230 V-50 Hz with thermal overload protector built-in to the winding. HF: three-phase 230/400 V-50 Hz up to 4kW, 400/690 V-50 Hz from 5.5 to 7.5kW Pumps fitted with the three-phase motor option offer IE2(IEC 60034-30) class high performance -Insulation: F class. -Protection: IP X4.



POS. COMPONENT	CONSTRUCTION CHARACTERISTICS
1 PUMP BODY	Cast iron, complete with threaded ports in compliance with ISO228/1
2 MOTOR BACKPLATE	Cast iron
3 IMPELLER	Brass for HF 129B Cast Iron for HF 129A
4 MOTOR SHAFT	Stainless steel EN 10088-3-1.4104
5 MECHANICAL SEAL	Pump Seal Shaft Materials
	Model Model Diameter Stationary ring Rotational ring Elastomer
6 BEARINGS	HF 129A-129B AR-18 Φ 18mm Graphite Ceramic NBR
	Pump Model
7 CAPACITOR	HF 129A-129B 6303 ZZ/6203 ZZ
	Pump Capacitance
8 ELECTRIC MOTOR	Single-phase (230V or 240V) (110V)
	HF-129B 31.5 μ F 450 VL 60 μ F 250VL
	HF-129A 45 μ F 450 VL 80 μ F 250VL
	HF: single-phase 230 V-50 Hz with thermal overload protector built-in to the winding. HF: three-phase 230/400 V-50 Hz up to 4kW, 400/690 V-50 Hz from 5.5 to 7.5kW Pumps fitted with the three-phase motor option offer IE2(IEC 60034-30) class high performance -Insulation: F class. -Protection: IP X4.