

# ES/ESM End Suction Centrifugal Pump



## Product Overview

ES/ESM end-suction centrifugal pump is used to transport clean water and media with physical and chemical properties similar to water. Non-flammable and explosive, low viscosity, no solid particles or fibers: this series of products have good cold and hot general performance, and are widely used in heating systems, cooling water circulation, water treatment systems and other fields.

## Application

- Heating system
- Air-conditioning system
- Filtering and conveying
- Pipeline pressurization flushing and cleaning system
- Cooling water circulation
- Boiler feed water treatment system
- Equipment supporting system
- Agricultural irrigation

## Operating Condition

Transport medium: clear water and medium with physical and chemical properties similar to water, low viscosity, No solid particles or fibers.

Diameter of pump: 50-300mm at the suction port and 32-250mm at the discharge port.

Rotational speed: 1450/2900(50Hz) 1750/3500(60Hz)

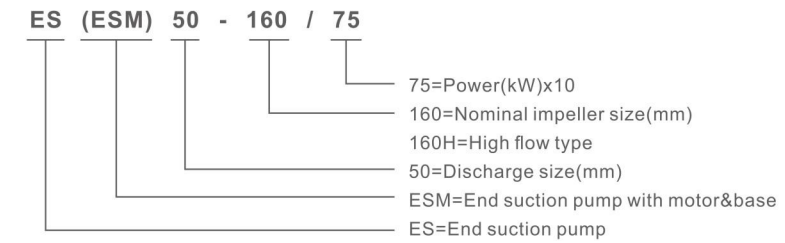
Flow range: 2~140 m<sup>3</sup>/h

Head range: 1~140m

Medium PH: 6.5~8.5 as standard and 4~10 as optional.

Working pressure: 1.0 MPa is standard, and 1.6 MPa is optional.

## Model Definition



## Features

### Widely applicable

The high-efficiency standard motor adopts standardized design and is widely applicable.

### Hot and cold universal

Long suspension design, excellent heat dissipation effect of pump body, capable of transporting media from -40°C to +120°C.

### Convenient maintenance

Rear pull structure, can be repaired without disassembling the pipeline.

### Special design of bearing chamber

Suitable for high head applications, the special design of the bearing chamber ensures the strength of the shaft and stronger product stability.

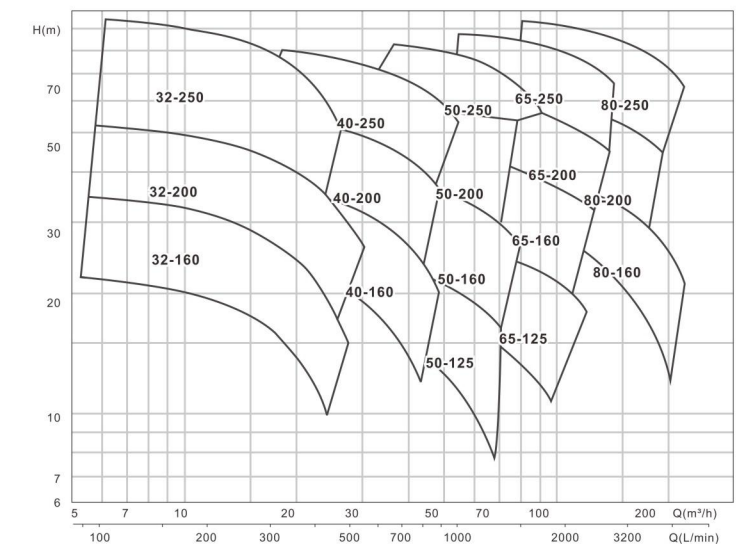
### Personalized customization

Provide customized services for cast iron/SS304 impellers, packing seals/mechanical seals according to different usage needs.

## Technical Sheet

Model	Detail
Delivery	0-1000 GPM
Head	0-164 m
Discharge	32-150 mm
Speed	2900 rpm
Tmax	120 °C
Power	1.5-315kW
Voltage	220/380/400/440 V
Frequency	50 Hz
Pump case	Cast iron
Impeller	Cast iron/SS304
Shaft	45# steel/SS304
Seal	SiC&Carbon
Bearing	Ball bearing

## Type Spectrogram



**Performance Table**

**Q=Delivery 50Hz n=2900**

Model	DN mm	Power		GPM L/min m³/h	Q=Delivery																			
		kW	HP		0	26	40	66	79	106	119	159	185	211	238	317	370	396	476	529	608	793	925	
					0	100	150	250	300	400	450	600	700	800	900	1200	1400	1500	1800	2000	2300	3000	3500	
ES 32-160/15	50x32	1.5	2	24	23.7	22.5	19.5	16.2	-	-	-	-	-	-	-	-	-	-	-	-	-			
ES 32-160/22	50x32	2.2	3	31	29.6	29	25.5	22.5	15	-	-	-	-	-	-	-	-	-	-	-	-			
ES 32-160/30	50x32	3	4	34.5	33.5	33	29	26.5	20	16.5	-	-	-	-	-	-	-	-	-	-	-			
ES 32-200/30	50x32	3	4	43.2	42	40.5	35.2	32.2	24.6	19.8	-	-	-	-	-	-	-	-	-	-	-			
ES 32-200/40	50x32	4	5.5	52	50.5	50	45.5	41.9	35	30.3	-	-	-	-	-	-	-	-	-	-	-			
ES 32-250/55	50x32	5.5	7.5	60	59.5	59	55	50.2	34.5	-	-	-	-	-	-	-	-	-	-	-	-			
ES 32-250/75	50x32	7.5	10	69.5	69	68.5	66	63	53	-	-	-	-	-	-	-	-	-	-	-	-			
ES 32-250/92	50x32	9.2	12.5	77	75.8	75.7	73.6	70	60	-	-	-	-	-	-	-	-	-	-	-	-			
ES 32-250/110	50x32	11	15	92	90	88.5	82.5	78	66	-	-	-	-	-	-	-	-	-	-	-	-			
ES 40-160/30	65x40	3	4	31.8	-	-	-	29.5	27.5	26.3	21.5	17.5	-	-	-	-	-	-	-	-	-			
ES 40-160/40	65x40	4	5.5	38	-	-	-	36	34	33	28.5	25	20.1	-	-	-	-	-	-	-	-			
ES 40-200/55	65x40	5.5	7.5	44	-	-	-	42	40	38	32	27	-	-	-	-	-	-	-	-	-			
ES 40-200/75	65x40	7.5	10	55	-	-	-	52	49	48	42	37	32	-	-	-	-	-	-	-	-			
ES 40-250/92	65x40	9.2	12.5	64	-	-	-	59	56.5	55	49.5	45	39.8	-	-	-	-	-	-	-	-			
ES 40-250/110	65x40	11	15	72	-	-	-	67.5	65	63.5	57.5	52.2	47	-	-	-	-	-	-	-	-			
ES 40-250/150	65x40	15	20	82	-	-	-	79.3	77.3	76.5	71	66	61	54.8	-	-	-	-	-	-	-			
ES 50-125/22	65x50	2.2	3	17	-	-	-	-	-	-	15.4	14	12.8	11.5	6.5	-	-	-	-	-	-			
ES 50-125/30	65x50	3	4	20	-	-	-	-	-	-	18.8	18	17	15.6	11	-	-	-	-	-	-			
ES 50-125/40	65x50	4	5.5	24	-	-	-	-	-	-	23.1	23	21.5	20.3	15.8	11.8	-	-	-	-	-			
ES 50-160/55	65x50	5.5	7.5	32	-	-	-	-	-	-	30.6	30	28	26.6	20.5	14.8	-	-	-	-	-			
ES 50-160/75	65x50	7.5	10	40	-	-	-	-	-	-	38	37	36	34.4	29	24	21	-	-	-	-			
ES 50-200/92	65x50	9.2	12.5	50.5	-	-	-	-	-	-	46.8	45	43	40.9	32.5	26.7	-	-	-	-	-			
ES 50-200/110	65x50	11	15	57.5	-	-	-	-	-	-	53.5	52	50	47.5	40	34	29	-	-	-	-			
ES 50-200/150	65x50	15	20	64	-	-	-	-	-	-	59.5	57.5	55	53	45	39.8	36	-	-	-	-			
ES 50-250/150	65x50	15	20	68.5	-	-	-	-	-	-	64	63	61.5	59	50	41	-	-	-	-	-			
ES 50-250/185	65x50	18.5	25	77	-	-	-	-	-	-	73.2	72	70	68	60.5	51.5	-	-	-	-	-			
ES 50-250/220	65x50	22	30	86.3	-	-	-	-	-	-	83	81.5	80	78	70	61	-	-	-	-	-			
ES 65-125/40	80x65	4	5.5	19	-	-	-	-	-	-	-	-	17.3	16.8	14.5	13	11.8	-	-	-	-			
ES 65-125/55	80x65	5.5	7.5	23	-	-	-	-	-	-	-	-	21.3	20.9	19	17.5	16.7	13.7	-	-	-			
ES 65-125/75	80x65	7.5	10	27	-	-	-	-	-	-	-	-	26	25.6	24.5	23	22.5	20	18	-	-			
ES 65-160/92	80x65	9.2	12.5	33	-	-	-	-	-	-	-	-	-	31.5	30	28	27.1	24	21.5	-	-			
ES 65-160/110	80x65	11	15	36	-	-	-	-	-	-	-	-	-	34.5	33	31.5	30.8	28	25.5	-	-			
ES 65-160/150	80x65	15	20	42	-	-	-	-	-	-	-	-	-	41	40	38.5	37.8	35	33	29.5	-			
ES 65-200/150	80x65	15	20	45.5	-	-	-	-	-	-	-	-	-	46	43.5	41	39.2	33	-	-	-			
ES 65-200/185	80x65	18.5	25	53	-	-	-	-	-	-	-	-	-	53.5	51.2	49	47	41.5	-	-	-			
ES 65-200/220	80x65	22	30	59	-	-	-	-	-	-	-	-	-	59.5	58	56	55	52	49.5	44.5	-			
ES 65-250/220	80x65	22	30	64.8	-	-	-	-	-	-	-	-	-	64.7	62	60	58.5	53	50	-	-			
ES 65-250/300	80x65	30	40	76	-	-	-	-	-	-	-	-	-	75	73	70	69	64	61	54	-			
ES 65-250/370	80x65	37	50	90	-	-	-	-	-	-	-	-	-	88	86	84	82	78	74	68	-			
ES 65-315/450	80x65	45	60	107	-	-	-	-	-	-	-	-	-	102.2	100	98	96.8	94.8	93	86	-			
ES 65-315/550	80x65	55	75	128	-	-	-	-	-	-	-	-	-	122.8	120.9	119.2	117.9	115.9	113	106	78			
ES 65-315/750	80x65	75	100	148	-	-	-	-	-	-	-	-	-	144.0	141.4	139.7	138.5	136.5	134	126	99			
ES 65-315/900	80x65	90	125	159	-	-	-	-	-	-	-	-	-	154.3	151.7	150.0	148.8	146.8	144	136	109			

**Performance Table**

**Q=Delivery 50Hz n=2900**

Model	DN mm	Power		GPM L/min m³/h	Q=Delivery																			
		kW	HP		0	264	396	529	634	793	881	925	969	1057	1233	1322	1586	1762	2203	2643	2907	3524	4405	
					0	1000	1500	2000	2400	3000	3333	3500	3667	4000	4667	5000	6000	6667	8333	10000	11000	13333	16667	
ES 80-125/40	100x80	5.5	7.8	17	15	12.3	7.5	-	-	-	-	-	-	-	-	-	-	-	-	-	-			
ES 80-125/55	100x80	7.5	10.6	21	19.6	17.4	13.4	9.5	-	-	-	-	-	-	-	-	-	-	-	-	-			
ES 80-125/75	100x80	10	14.4	26	24.8	23	19.5	16.5	-	-	-	-	-	-	-	-	-	-	-	-	-			
ES 80-160/110	100x80	11	15	27	27	27.3	24.5	22	16	-	-	-	-	-	-	-	-	-	-	-	-			
ES 80-160/150	100x80	15	20	32.8	32.6	32.5	30.2	27.5	22.1	18.5	16.7	-	-	-	-	-	-	-	-	-	-			
ES 80-160/185	100x80	18.5	25	39	38.5	38	35.7	33.5	28.8	25.3	23.5	-	-	-	-	-	-	-	-	-	-			
ES 80-160/220	100x80	22	30	44.9	44.4	43.9	42.5	39.4	34.5	30.9	29.1	-	-	-	-	-	-	-	-	-	-			
ES 80-200/220	100x80	22	30	48	47.7	47.5	43.5	40.5	32.5	27.2	24.5	-	-	-	-	-	-	-	-	-	-			
ES 80-200/300	100x80	30	40	60	59.7	59.5	57	54	47	42.7	40.5	-	-	-	-	-	-	-	-	-	-			
ES 80-250/370	100x80	37	50	71.5	70.9	70.5	65.5	61	49.5	43.2	38.5	-	-	-	-	-	-	-	-	-	-			
ES 80-250/450	100x80	45	60	82	86.7	80.5	76.5	71.5	62	60	51	-	-	-	-	-	-	-	-	-	-			
ES 80-250/550	100x80	55	75	95	94.5	93.5	89.9	86.5	77.6	72.1	68.3	-	-	-	-	-	-	-	-	-	-			
ES 80-315/450	100x80	45	60	88	87	85.1	84	80	70.3	63	58	-	-	-	-	-	-	-	-	-	-			
ES 80-315/550	100x80	55	75	101	100	98.5	98	94	83.7	76	71	-	-	-	-	-	-	-	-	-	-			
ES 80-315/750	100x80	75	100	128	127	125.2	125	121	110.5	103	98	93	83.2	-	-	-	-	-	-	-	-			
ES 80-315/900	100x80	90	125	148	147	145.8	145	141	131.1	124	118	113	103.8	-	-	-	-	-	-	-	-			
ES 80-315/1100	100x80	110	150	158	157	155.1	155	150	140.4	133	128	123	113.1	-	-	-	-	-	-	-	-			
ES 100-160/150	125x100	15	20	36.5	34.7	33.6	31	28.5	25	21.8	21.5	18.5	15.1	-	-	-	-	-	-	-	-			
ES 100-160/185	125x100	18.5	25	40	38.7	37.6	35.3	32.9	29.5	26	25.5	22.2	18.1	-	-	-	-	-	-	-	-			
ES 100-160/220	125x100	22	30	44.5	42.2	41.1	38.6	35.9	32	28.8	28.5	25.5	22.1	-	-	-	-	-	-	-	-			
ES 100-200/220	125x100	22	30	40.3	38.2	37	34.9	32.7	29.3	27.4	27.5	25.5	23.3	16.6	13.2	-	-	-	-	-	-			
ES 100-200/300	125x100	30	40	46.3	44	43.3	41.3	39.8	37.5	34.8	34.5	32.2	29.4	22	18.2	-	-	-	-	-	-			
ES 100-200/370	125x100	37	50	56.8	54.5	52.3	51.7	50.2	47.8	45.6	45.5	43.3	40.9	33.1	29.2	-	-	-	-	-	-			
ES 100-250/450	125x100	45	60	66.8	66.5	65.3	64.1	62	58.8	56.6	56.5	53.8	50.4	39.3	33.7	-	-	-	-	-	-			
ES 100-250/550	125x100	55	75	78.8	77.5	76.8	76.1	74.8	72.8	72.3	73	71.2	69.4	62.6	59.2	-	-	-	-	-	-			
ES 100-250/750	125x100	75	100	92.8	92.5	91.8	90.8	89	86.3	84.6	84.8	82	78.4	72	68.7	48.2	-							

### Performance Table

Q=Delivery 50Hz n=1450

Model	DN mm	Power		GPM L/min m³/h	0	106	119	132	159	185	198	220	264	317	370	396	423	476	617	661	881	1101
		kW	HP		0	400	450	500	600	700	750	833	1000	1200	1400	1500	1600	1800	2333	2500	3333	4167
					0	24	27	30	36	42	45	50	60	72	84	90	96	108	140	150	200	250
ES4 65-160/11	80x65	1.1	1.5	8.2	7.7	7.5	7.4	7.1	6.7	6.4	5.9	4.9	3.5	-	-	-	-	-	-	-	-	-
ES4 65-160/15	80x65	1.5	2	9.2	8.7	8.6	8.5	8.2	7.8	7.5	7	6.1	4.7	-	-	-	-	-	-	-	-	-
ES4 65-160/22	80x65	2.2	3	10.5	10.2	10.1	10	9.7	9.4	9.2	8.8	8	6.6	-	-	-	-	-	-	-	-	-
ES4 65-200/15	80x65	1.5	2	10.2	-	-	9.8	9.3	8.7	8.4	7.8	6.5	4.7	-	-	-	-	-	-	-	-	-
ES4 65-200/22	80x65	2.2	3	12.6	-	-	12.4	12	11.5	11.2	10.6	9.5	7.8	-	-	-	-	-	-	-	-	-
ES4 65-200/30	80x65	3	4	14.7	-	-	14.6	14.1	13.7	13.4	12.8	11.5	9.8	-	-	-	-	-	-	-	-	-
ES4 65-250/30	80x65	3	4	15.7	-	-	14.9	14.2	13.4	12.9	11.8	9.9	6.8	-	-	-	-	-	-	-	-	-
ES4 65-250/40	80x65	4	5.5	19.4	-	-	18.7	18.2	17.5	17.2	16.4	14.7	11.9	-	-	-	-	-	-	-	-	-
ES4 65-250/55	80x65	5.5	7.5	22.7	-	-	21.7	21.3	20.7	20.3	19.6	18.1	15.4	-	-	-	-	-	-	-	-	-
ES4 65-315/40	80x65	4	5.5	19.2	-	-	18.4	17.8	17.2	16.7	15.7	13.7	-	-	-	-	-	-	-	-	-	-
ES4 65-315/55	80x65	5.5	7.5	22.8	-	-	-	21.8	21.2	20.8	19.8	17.8	14.4	-	-	-	-	-	-	-	-	-
ES4 65-315/75	80x65	7.5	10	27.3	-	-	-	26.4	26	25.6	25	23.7	21.4	18.1	-	-	-	-	-	-	-	-
ES4 65-315/110	80x65	11	15	35.8	-	-	-	35.2	34.9	34.7	34.2	33.1	31.1	28.2	26.4	24.4	19.3	-	-	-	-	-
ES4 65-315/150	80x65	15	20	41.2	-	-	-	40.6	40.3	40.1	39.6	38.4	36.5	33.6	31.7	29.8	24.6	-	-	-	-	-
ES4 80-160/15	100x80	1.5	2	7.7	-	-	-	-	-	7.2	7	6.5	5.6	4.7	4.2	3.6	-	-	-	-	-	-
ES4 80-160/22	100x80	2.2	3	9.2	-	-	-	-	-	8.8	8.6	8.2	7.5	6.7	6.3	5.8	-	-	-	-	-	-
ES4 80-200/30	100x80	3	4	12	-	-	-	-	-	11.2	10.9	10.3	9.4	8.2	7.4	6.7	-	-	-	-	-	-
ES4 80-200/40	100x80	4	5.5	14.5	-	-	-	-	-	14.1	13.9	13.6	12.6	11.5	10.9	10.2	-	-	-	-	-	-
ES4 80-250/40	100x80	4	5.5	17.3	-	-	-	-	-	16.3	15.9	15.1	13.5	11.6	10.4	9.2	-	-	-	-	-	-
ES4 80-250/55	100x80	5.5	7.5	20.9	-	-	-	-	-	19.9	19.5	18.8	17.5	15.8	14.8	13.8	11.3	-	-	-	-	-
ES4 80-250/75	100x80	7.5	10	24.5	-	-	-	-	-	24	23.7	23	21.7	20.3	19.4	18.5	16.3	-	-	-	-	-
ES4 80-250/110	100x80	11	15	28.8	-	-	-	-	-	28.1	27.7	27	25.8	24.4	23.5	22.5	20.4	15.3	-	-	-	-
ES4 80-315/55	100x80	5.5	7.5	20.3	-	-	-	-	-	19.7	19.4	18.6	17.3	15.5	14.3	13.2	10.4	-	-	-	-	-
ES4 80-315/75	100x80	7.5	10	25.3	-	-	-	-	-	24.6	24.3	23.7	22.6	21	20.1	19.2	16.8	-	-	-	-	-
ES4 80-315/110	100x80	11	15	30.8	-	-	-	-	-	30.3	30.1	29.7	28.9	27.8	27.1	26.3	24.3	17	13.9	-	-	-
ES4 80-315/150	100x80	15	20	37.9	-	-	-	-	-	37.5	37.2	36.7	35.7	34.6	34	33.4	31.8	26.1	23.7	-	-	-
ES4 100-160/22	125x100	2.2	3	6	-	-	-	-	-	5.9	5.8	5.6	5.4	5.1	5	4.7	4.4	-	-	-	-	-
ES4 100-160/30	125x100	3	4	8.4	-	-	-	-	-	8.3	8.2	8.1	7.8	7.4	7.3	7	6.6	5.2	-	-	-	-
ES4 100-160/40	125x100	4	5.5	11.7	-	-	-	-	-	11.7	11.6	11.4	11.1	10.8	10.7	10.4	10	8.6	8	-	-	-
ES4 100-200/40	125x100	4	5.5	12	-	-	-	-	-	11.9	11.8	11.6	11.2	10.7	10.5	9.9	9.3	6.9	6	-	-	-
ES4 100-200/55	125x100	5.5	7.5	13.6	-	-	-	-	-	13.5	13.5	13.3	13	12.6	12.5	12.2	11.7	9.8	9	-	-	-
ES4 100-200/75	125x100	5.5	7.5	15.1	-	-	-	-	-	15	15	14.8	14.5	14.2	14.1	13.8	13.3	11.3	10.5	-	-	-
ES4 100-200/92	125x100	9.2	12.5	16.8	-	-	-	-	-	16.7	16.7	16.5	16.2	15.9	15.8	15.5	15	13.1	12.2	-	-	-
ES4 100-250/55	125x100	5.5	7.5	16.2	-	-	-	-	-	16.1	16	15.8	15.2	14.7	14.4	13.7	12.8	9.4	8.1	-	-	-
ES4 100-250/75	125x100	7.5	10	19.9	-	-	-	-	-	19.9	19.8	19.6	19.2	18.7	18.5	18	17.2	14.3	13	-	-	-
ES4 100-250/110	125x100	11	15	24.8	-	-	-	-	-	24.8	24.7	24.6	24.2	23.8	23.6	23.2	22.5	20.1	19	11.6	-	-
ES4 100-250/150	125x100	15	20	28.4	-	-	-	-	-	28.4	28.3	28.2	27.7	27.3	27.1	26.7	26.1	23.7	22.5	15.2	-	-
ES4 100-315/150	125x100	15	20	28.6	-	-	-	-	-	28.4	28.2	27.7	27.4	27.2	26.7	26.1	23.6	22.5	15.2	-	-	-
ES4 100-315/185	125x100	18.5	25	31.6	-	-	-	-	-	31.4	31.2	30.8	30.5	30.3	29.8	29.2	26.6	25.6	18.3	-	-	-
ES4 100-315/220	125x100	22	30	35.7	-	-	-	-	-	35.1	34.9	34.5	34.2	34	33.5	32.8	30.6	29.6	24.5	-	-	-
ES4 100-315/300	125x100	30	40	37.7	-	-	-	-	-	37.5	37.4	37.1	36.8	36.6	36.2	35.8	33.9	33	28.6	-	-	-
ES4 100-400/300	125x100	30	40	47.3	-	-	-	-	-	46.9	46.9	46.9	46.9	46.9	46.9	45.9	44.9	42.8	40.8	30.2	-	-
ES4 100-400/370	125x100	37	50	52.8	-	-	-	-	-	52.3	52.2	52.1	52	51.5	50.5	48.5	46.9	38	-	-	-	-
ES4 100-400/450	125x100	45	60	58.2	-	-	-	-	-	57.8	57.5	57.2	57.1	57.1	56.1	54.1	53	45.9	32.7	-	-	-
ES4 100-400/550	125x100	55	75	65.3	-	-	-	-	-	65	64.7	64.4	64.3	64.3	63.2	61.2	60.2	53	39.9	-	-	-

### Performance Table

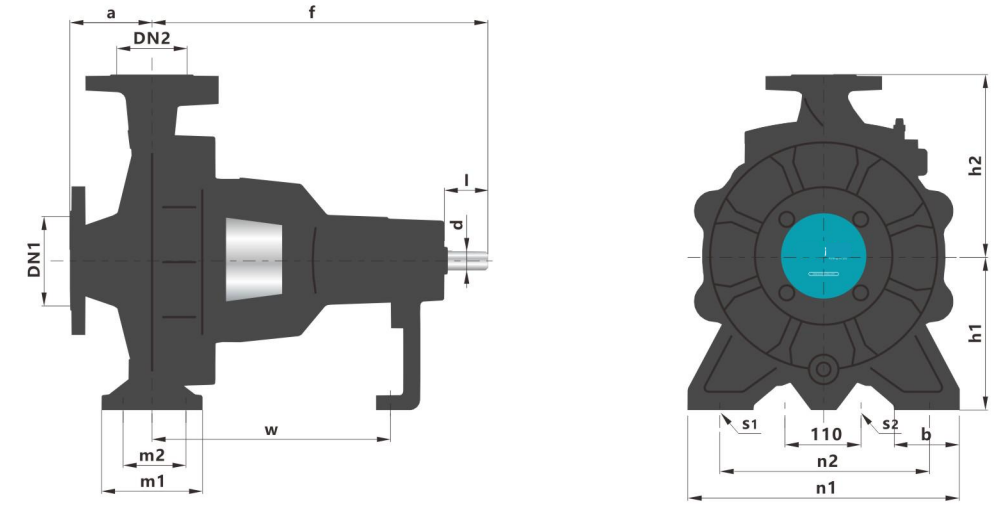
Q=Delivery 50Hz n=1450

Model	DN mm	Power		GPM L/min m³/h	0	132	154	176	220	264	396	441	485	617	661	881	1101	1322	1762	2203	2643	
		kW	HP		0	500	583	667	833	1000	1500	1667	1833	2333	2500	3333	4167	5000	6667	8333	10000	
					0	30	35	40	50	60	90	100	110	140	150	200	250	300	400	500	600	
ES4 125-200/55	150x125	5.5	7.5	11.6	11.3	11.3	11.2	11.1	11	10.4	10.2	9.9	9.1	8.8	7	-	-	-	-	-	-	-
ES4 125-200/75	150x125	7.5	10	14.4	14.2	14.1	14.1	14	13.9	13.4	13.2	13	12.1	11.8	9.8	-	-	-	-	-	-	-
ES4 125-200/110	150x125	11	15	18.5	18.3	18.2	18.2	18.1	18	17.4	17.2	17	16.2	15.9	13.9	10	-	-	-	-	-	-
ES4 125-250/75	150x125	7.5	10	15.7	-	-	-	-	-	15.6	15.3	15.1	14.9	13.9	13.4	-	-	-	-	-	-	-
ES4 125-250/110	150x125	11	15	19.8	-	-	-	-	-	19.7	19.5	19.4	19.3	18.5	18.2	15.6	11.9	-	-	-	-	-
ES4 125-250/150	150x125	15	20	23.7	-	-	-	-	-	23.8	23.6	23.5	23.4	22.4	22.4	20.2	16.8	12.5	-	-	-	-
ES4 125-250/185	150x125	18.5	25	26.1	-	-	-	-	-	26	26	25.9	25.8	25.4	25.2	23.5	20.7	16.8	-	-	-	-
ES4 125-315/185	150x125	18.5	25	27.8	-	-	-	-	-	-	-	27.4	27.2	26.4	26.1	23.8	20.1	15.2	-	-	-	-
ES4 125-315/220	150x125	22	30	30.6	-	-	-	-	-	-	-	30.3	30.2	29.5	29.2	27	23.7	18.8	-	-	-	-
ES4 125-315/300	150x125	30	40	36.3	-	-	-	-	-	-	-	36.1	36	35.5	35.3	33.6	30.7	26.6	-	-	-	-
ES4 125-315/370	150x125	37	50	39	-	-	-	-	-	-	-	38.8	38.7	38.1	37.9	36.4	33.8	30	18.2	-	-	-
ES4 125-400/300	150x125	30	40	41.8	-	-	-	-	-	-	-	41.8	41.3	41.1	40	39.4	35.1	28.1	18.7	-	-	-
ES4 125-400/370	150x125	37	50	47.1	-	-	-	-	-	-	-	46.9	46.6	46.4	45.5	45.1	41.5	35.5	27	-	-	-
ES4 125-400/450	150x125	45	60	52.4	-	-	-	-	-	-	-	52	51.9	51.8	51.1	50.8	47.9	43	35.5	-	-	-
ES4 125-400/550	150x125	55	75	57.6	-	-	-	-	-	-	-	57.4	57.4	57.3	57	56.8	54.9	51.3	45.6	27.2	-	-
ES4 125-400/750	150x125	75	100	65.8	-	-	-	-	-	-	-	65.6	65.6	65.5	65.2	65	63	59.5	53.8	35.4	-	-
ES4 125-400/900	150x125	90	12																			

**Performance Table**

**Q=Delivery 50Hz n=1450**

Model	DN mm	Power		Q=Delivery															
		kW	HP	GPM	0	881	1322	1762	2203	2643	3084	3524	3965	4405	4846	5286	5727	6167	6608
				L/min	0	3333	5000	6667	8333	10000	11667	13333	15000	16667	18333	20000	21667	23333	25000
m <sup>3</sup> /h	0	200	300	400	500	600	700	800	900	1000	1100	1200	1300	1400	1500				
Es4 200-250/370	250x200	37	50	23.5	22.4	21.4	20.2	18.7	16.4	13.1	9.5	-	-	-	-	-	-	-	
ES4 200-250/450	250x200	45	60	26.5	25.5	24.5	23.3	21.7	19.5	16.1	12.5	-	-	-	-	-	-	-	
ES4 200-250/550	250x200	55	75	31.3	30.3	29.3	28.1	26.5	24.3	20.9	17.3	-	-	-	-	-	-	-	
ES4 200-315/550	250x200	55	75	31.7	31.6	30.6	29.9	28.1	25.5	21.7	16.3	-	-	-	-	-	-	-	
ES4 200-315/750	250x200	75	100	35.8	35.7	34.7	34	32.1	29.6	25.8	20.4	-	-	-	-	-	-	-	
ES4 200-315/900	250x200	90	125	42.9	42.8	41.8	41.1	39.3	36.7	32.9	27.5	-	-	-	-	-	-	-	
ES4 200-400/750	250x200	75	100	41.8	41.7	41.2	39.7	38.1	35.6	33.6	29.5	-	-	-	-	-	-	-	
ES4 200-400/900	250x200	90	125	47.4	47.3	46.8	45.3	43.8	41.2	39.2	35.1	-	-	-	-	-	-	-	
ES4 200-400/1100	250x200	110	150	53.4	53.3	52.8	51.3	49.8	47.2	45.2	41.1	-	-	-	-	-	-	-	
ES4 200-400/1320	250x200	132	180	61.3	61.2	60.7	59.2	57.6	55.1	53	49	40.8	-	-	-	-	-	-	
ES4 250-315/900	300x250	90	125	31.1	-	-	29.6	28.9	28.6	28.2	27.5	26.9	26.3	25.3	23.5	22.2	-	-	
ES4 250-315/1100	300x250	110	150	35.2	-	-	33.7	32.9	32.6	32.2	31.6	31	30.4	29.4	27.5	26.3	-	-	
ES4 250-315/1320	300x250	132	180	39.3	-	-	37.7	37	36.7	36.3	35.7	35.1	34.5	33.5	31.6	30.4	28.6	-	
ES4 250-315/1600	300x250	160	220	45.9	-	-	44.4	43.7	43.4	42.9	42.3	41.7	41.1	40.1	38.3	37	35.2	-	
ES4 250-400/1600	300x250	160	220	43.9	-	-	42.8	42	41.6	40.8	39.8	38.8	37.7	36.7	34.7	33.2	30.6	-	
ES4 250-400/1850	300x250	185	250	47.9	-	-	46.9	46.1	45.7	44.9	43.9	42.8	41.8	40.8	38.8	37.2	34.7	-	
ES4 250-400/2000	300x250	200	270	54.1	-	-	53	52.2	51.8	51	50	49	47.9	46.9	44.9	43.4	40.8	38.8	
ES4 250-400/2200	300x250	220	300	59.2	-	-	58.1	57.3	56.9	56.1	55.1	54.1	53	52	50	48.5	45.9	43.9	
ES4 250-400/2500	300x250	250	340	67.3	-	-	66.3	65.5	65.1	64.3	63.2	62.2	61.2	60.2	58.1	56.6	54.1	52	



**Installation Dimension**

Model	Dimensions															
	DN1	DN2	a	f	h1	h2	b	m1	m2	n1	n2	s1	s2	w	d	l
ES 32-160	50	32	80	360	132	160	55	95	70	240	190	14	14	260	24	50
ES 32-200	50	32	80	360	160	180	55	95	70	240	190	14	14	260	24	50
ES 32-250	50	32	80	360	160	180	55	95	70	240	190	14	14	260	24	50
ES 40-160	65	40	80	360	132	160	50	100	70	240	190	14	14	260	24	50
ES 40-200	65	40	100	360	160	180	55	100	70	265	212	14	14	260	24	50
ES 40-250	65	40	100	360	180	225	65	125	95	320	250	14	14	260	24	50
ES 50-125	65	50	100	360	132	180	50	100	70	240	190	14	14	260	24	50
ES 50-160	65	50	100	360	160	200	55	100	70	265	212	14	14	260	24	50
ES 50-200	65	50	100	360	160	225	50	100	70	265	212	14	14	260	24	50
ES 50-250	65	50	100	360	180	180	65	125	95	320	250	14	14	260	24	50
ES 65-125	80	65	100	360	160	250	65	125	95	280	212	14	14	260	24	50
ES 65-160	80	65	100	360	160	200	65	125	95	280	212	14	14	260	24	50
ES 65-200	80	65	100	360	180	225	65	125	95	320	250	14	14	260	24	50
ES 65-250	80	65	100	470	200	250	80	160	120	360	280	18	14	340	32	80
ES 65-315	80	65	125	470	225	280	80	160	120	360	280	18	14	340	32	80
ES 80-125	100	80	100	360	180	225	65	125	95	320	250	14	14	260	24	50
ES 80-160	100	80	100	360	180	225	65	125	95	345	250	14	14	260	24	50
ES 80-200	100	80	100	470	200	250	65	125	95	345	280	14	14	340	32	80
ES 80-250	100	80	100	470	200	280	80	160	120	400	315	18	14	340	32	80
ES 80-315	100	80	125	470	250	315	80	160	120	400	315	18	14	340	24	50
ES 100-160	125	100	125	360	200	280	80	160	120	360	280	18	14	260	32	80
ES 100-200	125	100	125	470	200	280	80	160	120	360	280	18	14	340	32	80
ES 100-250	125	100	125	470	225	280	80	160	120	400	315	18	14	340	32	80
ES 100-315	125	100	140	470	250	315	80	160	120	400	315	19	14	340	32	80
ES 100-400	125	100	140	530	280	355	100	200	150	500	400	23	14	370	42	110
ES 125-200	150	125	140	470	250	315	80	160	120	400	315	19	14	340	32	80
ES 125-250	150	125	140	470	250	355	80	160	120	400	315	19	14	340	32	80
ES 125-315	150	125	140	530	280	355	100	200	150	500	400	23	14	370	42	110
ES 125-400	150	125	140	530	315	400	100	200	150	500	400	23	14	370	42	110
ES 150-200	200	150	160	470	280	400	100	200	150	550	450	23	14	370	32	80
ES 150-250	200	150	160	530	280	400	100	200	150	550	450	23	14	370	42	110
ES 150-315	200	150	160	530	280	400	100	200	150	550	450	23	14	370	42	110
ES 150-400	200	150	160	530	315	450	100	200	150	550	450	23	14	370	42	110
ES 200-250	250	200	180	530	355	475	100	200	150	550	450	23	14	370	42	110
ES 200-315	250	200	180	530	355	450	100	200	150	550	450	23	14	370	42	110
ES 200-400	250	200	180	770	400	500	110	300	250	710	600	28	14	525	60	140
ES 250-315	300	250	250	530	400	500	110	300	250	710	600	28	14	525	42	110
ES 250-400	300	250	250	770	400	560	110	300	250	710	600	28	14	525	60	140